

6

5

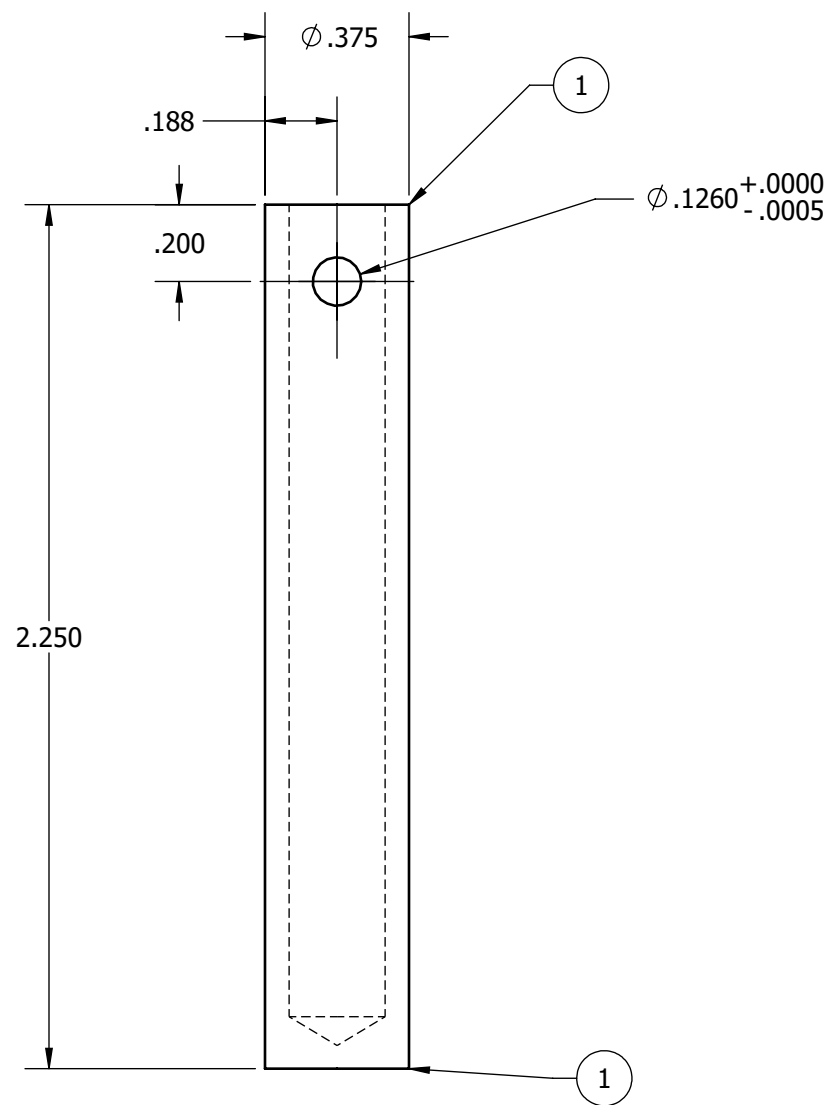
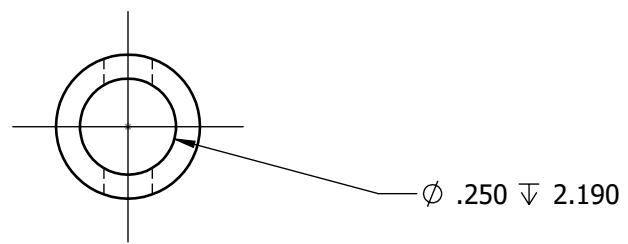
4

3


2

1

| REVISIONS | | |
|-----------|-----------------|------------|
| REV. | DESCRIPTION | DATE |
| A | INITIAL RELEASE | 10/16/2024 |



1. EDGE BREAK

| | | | | |
|---------------------------------------------------------------------------------------------------------------------------------------------------------------------------------------------------------------------------|------------------------------------------------------------------------------------------------------------------------------------|---------------------------------------------------|-------------------------------------------------------------------------------------------------------------------------------------------------------------------------------|---------------|
| PROPRIETARY AND CONFIDENTIAL THE INFORMATION CONTAINED IN THIS DRAWING IS THE SOLE PROPERTY OF THE UNIVERSITY OF COLORADO. ANY REPRODUCTION IN PART OR AS A WHOLE WITHOUT WRITTEN PERMISSION IS PROHIBITED. | TOLERANCES: X.X ±0.1 X.XX ±0.010 X.XXX ±0.005 X.X° ±1° | MATERIAL: 6061 ALUMINUM FINISH: MACHINED |  UNIVERSITY OF COLORADO 1111 ENGINEERING DRIVE BOULDER, CO 80309-0427 MCEN 1025 | |
| | UNLESS OTHERWISE SPECIFIED: DRAWING UNITS: INCHES INTERPRET DRAWING PER ASME Y14.100 INTERPRET DIMENSIONS PER ASME Y14.5M | DESCRIPTION: ALUMINUM PISTON | | |
| | DRAWN: JULIA ABOUD | DATE: 10/16/24 | PART NUMBER: 1025WE4 | REV A |
| | CHECKER: | DATE: | SIZE: B | SHEET: 1 of 1 |

4

3

2

1